

Rotary Cam Switches

Front mounting Four hole mounting 68 × 68 mm

Front mounting switches with four hole mounting 68 × 68 mm

- 80 A / 100 A / 160 A
- 1 up to 24 contacts
- IP55 (front)



- ON-OFF Switch
- Changeover Switch
- Multi-step Switch
- Motor Switch

Setup of order code number: Type - Switching programme - Mounting form

Ordering example:

3 pole ON-OFF Switch 90°, 80 A, G-handle silver/black →

Type	Switching programme	Mtg. form
S606	61199	003G1
Order code no.	S606-61199-003G1	

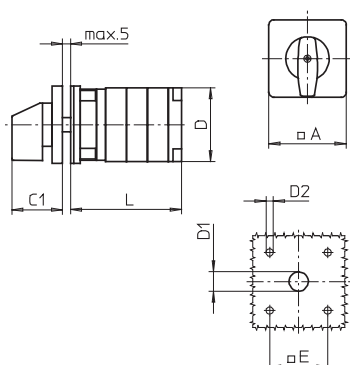
Type	Rated data (IEC 60947)			Terminal accessibility
	Operational current I _o AC-21A (A)	Operational power (at 380–440 V) AC-23A (kW) AC-3A (kW)		
S606	80	45	30	Terminals accessible laterally
S608	100	55	37	
S612	160	75	45	

Switching programme	Stages	Contacts	Description
61191	1	1	ON-OFF Switch 90°, 1 pole
61192	1	2	ON-OFF Switch 90°, 2 pole
61199	2	3	ON-OFF Switch 90°, 3 pole
61194	2	4	ON-OFF Switch 90°, 4 pole, 1 pole early make/late break
61001	1	1	ON-OFF Switch 60°, 1 pole
61002	1	2	ON-OFF Switch 60°, 2 pole
61003	2	3	ON-OFF Switch 60°, 3 pole
61025	1	2	Changeover Switch with centre OFF 60°, 1 pole
61027	3	6	Changeover Switch with centre OFF 60°, 3 pole
61037	1	2	Changeover Switch without OFF 60°, 1 pole
61050	2	4	Multi-step Switch without OFF, 4 steps, 1 pole
61211	3	5	Motor Reversing Switch, 3 pole

Switching diagrams and further switching programmes from page 56.

Mounting form	Operator	Mounting form	Operator
003M1	M-handle silver/black	003G1	G-handle silver/black

Dimensions in mm:



Type	Mtg. form	A	C1	D	D1	D2	E	L with ... stages (max. 12)					each additional
								1	2	3	4	5	
S606	003M1	88	52	84	15	5.5	68	59	81	103	125	147	22
	003G1	88	66	84	15	5.5	68	59	81	103	125	147	22
S608	003M1	88	52	88	15	5.5	68	66	92	118	144	170	26
	003G1	88	66	88	15	5.5	68	66	92	118	144	170	26
S612	003M1	88	52	88	15	5.5	68	72	104	136	168	200	32
	003G1	88	66	88	15	5.5	68	72	104	136	168	200	32

Rotary Cam Switches



Base mounting Four hole mounting 68 × 68 mm

Base mounting switches with four hole mounting 68 × 68 mm

- 80 A / 100 A / 160 A
- 1 up to 24 contacts
- IP55 (front)
- Four hole front mounting 68 × 68 mm



- ON-OFF Switch
- Changeover Switch
- Multi-step Switch
- Motor Switch

Setup of order code number: Type - Switching programme - Mounting form Ordering example: 3 pole Changeover Switch with centre OFF 60°, 80 A, M-handle silver/black →	Type	Switching programme	Mtg. form
	S606	61027	002M1
	Order code no. S606-61027-002M1		

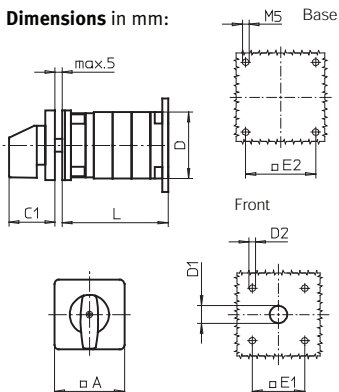
Type	Rated data (IEC 60947)			Terminal accessibility
	Operational current I _e AC-21A (A)	Operational power (at 380–440 V)		
		AC-23A (kW)	AC-3A (kW)	
S606	80	45	30	Terminals accessible laterally
S608	100	55	37	
S612	160	75	45	

Switching programme	Stages	Contacts	Description
61191	1	1	ON-OFF Switch 90°, 1 pole
61192	1	2	ON-OFF Switch 90°, 2 pole
61001	1	1	ON-OFF Switch 60°, 1 pole
61002	1	2	ON-OFF Switch 60°, 2 pole
61003	2	3	ON-OFF Switch 60°, 3 pole
61025	1	2	Changeover Switch with centre OFF 60°, 1 pole
61026	2	4	Changeover Switch with centre OFF 60°, 2 pole
61027	3	6	Changeover Switch with centre OFF 60°, 3 pole
61037	1	2	Changeover Switch without OFF 60°, 1 pole
61038	2	4	Changeover Switch without OFF 60°, 2 pole
61050	2	4	Multi-step Switch without OFF, 4 steps, 1 pole
61211	3	5	Motor Reversing Switch, 3 pole

Switching diagrams and further switching programmes from page 56.

Mounting form	Operator	Mounting form	Operator
002M1	M-handle silver/black	002G1	G-handle silver/black

Dimensions in mm:



Type	Mtg. form	A	C1	D	D1	D2	E1	E2	L with ... stages (max. 12)				each additional
									1	2	3	4	
S606	002M1	88	52	84	15	5.5	68	68	64	86	108	130	22
	002G1	88	66	84	15	5.5	68	68	64	86	108	130	22
S608	002M1	88	52	88	15	5.5	68	68	71	97	123	149	26
	002G1	88	66	88	15	5.5	68	68	71	97	123	149	26
S612	002M1	88	52	88	15	5.5	68	68	77	109	141	173	32
	002G1	88	66	88	15	5.5	68	68	77	109	141	173	32

Rotary Cam Switches



Base mounting Four hole mounting 68 × 68 mm / Door clutch

Base mounting switches with four hole mounting 68 × 68 mm / Door clutch

- **80 A / 100 A / 160 A** ■ 1 up to 24 contacts
- IP55 (front)
- Four hole front mounting 68 × 68 mm



- ON-OFF Switch
- Changeover Switch
- Multi-step Switch
- Motor Switch

Setup of order code number: Type - Switching programme - Mounting form Ordering example: 3 pole ON-OFF Switch 90°, 80 A, M-handle silver/black →	Type	Switching programme	Mtg. form
	S606	61199	041M1
	Order code no. S606-61199-041M1		

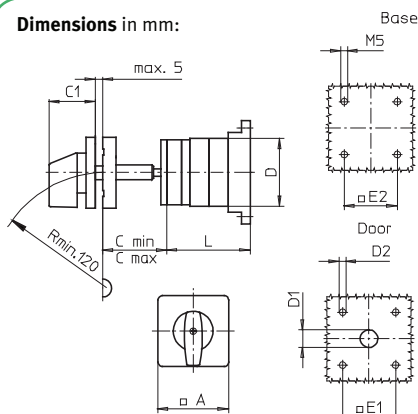
Type	Rated data (IEC 60947)			Terminal accessibility
	Operational current I _e AC-21A (A)	Operational power (at 380–440 V)		
		AC-23A (kW)	AC-3A (kW)	
S606	80	45	30	Terminals accessible laterally
S608	100	55	37	
S612	160	75	45	

Switching programme	Stages	Contacts	Description
61192	1	2	ON-OFF Switch 90°, 2 pole
61199	2	3	ON-OFF Switch 90°, 3 pole
61001	1	1	ON-OFF Switch 60°, 1 pole
61002	1	2	ON-OFF Switch 60°, 2 pole
61003	2	3	ON-OFF Switch 60°, 3 pole
61025	1	2	Changeover Switch with centre OFF 60°, 1 pole
61026	2	4	Changeover Switch with centre OFF 60°, 2 pole
61027	3	6	Changeover Switch with centre OFF 60°, 3 pole
61037	1	2	Changeover Switch without OFF 60°, 1 pole
61038	2	4	Changeover Switch without OFF 60°, 2 pole
61050	2	4	Multi-step Switch without OFF, 4 steps, 1 pole
61211	3	5	Motor Reversing Switch, 3 pole

Switching diagrams and further switching programmes from page 56.

Mounting form	Operator	Mounting form	Operator
041M1	M-handle silver/black	041G1	G-handle silver/black

Dimensions in mm:



Type	Mtg. form	A	C _{min}	C _{max}	C1	D	D1	D2	E1	E2	L with ... stages (max. 12) each additional				
											1	2	3	4	
S606	041M1	88	48	60	52	84	18	5.5	68	68	58	80	107	129	22
	041G1	88	48	60	66	84	18	5.5	68	68	58	80	107	129	22
S608	041M1	88	48	60	52	88	18	5.5	68	68	65	91	117	143	26
	041G1	88	48	60	66	88	18	5.5	68	68	65	91	117	143	26
S612	041M1	88	48	60	52	88	18	5.5	68	68	71	103	135	167	32
	041G1	88	48	60	66	88	18	5.5	68	68	71	103	135	167	32

Rotary Cam Switches



Base mounting Four hole mounting 68 × 68 mm / Door interlock

Base mounting switches with four hole mounting 68 × 68 mm / Door interlock

- **80 A / 100 A / 160 A** ■ 1 up to 24 contacts
- IP55 (front)
- Four hole front mounting 68 × 68 mm



- ON-OFF Switch
- Changeover Switch
- Multi-step Switch
- Motor Switch

Setup of order code number: Type - Switching programme - Mounting form Ordering example: 3 pole ON-OFF Switch 90°, 80 A, M-handle silver/black →	Type	Switching programme	Mtg. form
	S606	61199	042M1
	Order code no. S606-61199-042M1		

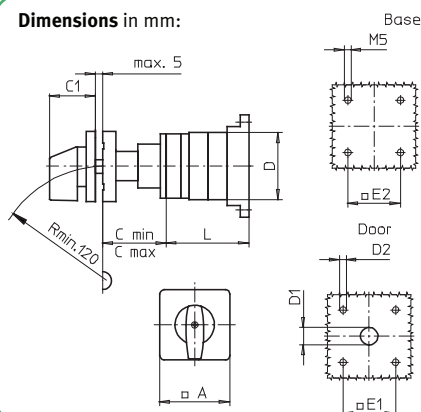
Type	Rated data (IEC 60947)			Terminal accessibility
	Operational current I _e AC-21A (A)	Operational power (at 380–440 V)		
		AC-23A (kW)	AC-3A (kW)	
S606	80	45	30	Terminals accessible laterally
S608	100	55	37	
S612	160	75	45	

Switching programme	Stages	Contacts	Description
61192	1	2	ON-OFF Switch 90°, 2 pole
61199	2	3	ON-OFF Switch 90°, 3 pole
61001	1	1	ON-OFF Switch 60°, 1 pole
61002	1	2	ON-OFF Switch 60°, 2 pole
61003	2	3	ON-OFF Switch 60°, 3 pole
61025	1	2	Changeover Switch with centre OFF 60°, 1 pole
61026	2	4	Changeover Switch with centre OFF 60°, 2 pole
61027	3	6	Changeover Switch with centre OFF 60°, 3 pole
61037	1	2	Changeover Switch without OFF 60°, 1 pole
61038	2	4	Changeover Switch without OFF 60°, 2 pole
61050	2	4	Multi-step Switch without OFF, 4 steps, 1 pole
61211	3	5	Motor Reversing Switch, 3 pole

Switching diagrams and further switching programmes from page 56.

Mounting form	Operator	Mounting form	Operator
042M1	M-handle silver/black	042G1	G-handle silver/black

Dimensions in mm:



Type	Mtg. form	A	C _{min}	C _{max}	C1	D	D1	D2	E1	E2	L with ... stages (max. 12) each additional				
											1	2	3	4	
S606	042M1	88	48	60	52	84	18	5.5	68	68	58	80	107	129	22
	042G1	88	48	60	66	84	18	5.5	68	68	58	80	107	129	22
S608	042M1	88	48	60	52	88	18	5.5	68	68	65	91	117	143	26
	042G1	88	48	60	66	88	18	5.5	68	68	65	91	117	143	26
S612	042M1	88	48	60	52	88	18	5.5	68	68	71	103	135	167	32
	042G1	88	48	60	66	88	18	5.5	68	68	71	103	135	167	32